

TWR 860 WP Eco&Steam Wifi&XL

T1 heat-pump dryer:

with SteamFinish, 1–9 kg load and Miele@home for smart laundry care.



- M Touch – the appliance is controlled by tapping or swiping
- Savings for the life of your tumble dryer – EcoDry technology
- Less ironing thanks to SteamFinish
- Very large loads 1-9 kg
- Smart laundry care with WiFiConn@ct

EAN: 4002516204367 / Material number: 11188060 / Old Material Number: 12WR8602ZA

Construction type	
Suitable for stacking	•
Side-by-side	•
Slot-in	•
Door hinge	left, Reversible
Convertible door hinging	•
Model	
Product brand	T1 White Edition
Heat pump dryer	•
Design	
Appliance colour	Lotus white
Control panel colour	Lotus white
Door design	Lotus white with chrome ring
Control panel version	5° incline
Control type	Touch controls
Display	MTouch
Drying results	
PerfectDry precision drying	•
FragranceDos ² fragrance system	•
SteamFinish steam system	•
Intelligent drum reversal	•
Gentle laundry care	
Honeycomb drum	•
Load in kg	9,0
User convenience	
Networking with Miele@home	•
Wash2Dry	•
Delay start up to 24 hours	•
Time left display	•
Time of day display	•
Programme sequence indicator	Yes
Drying assistant	•
Information text	•
Favourite programmes	•
Drum lighting	LED
MultiLingua	•
Acoustics package for the lowest sound emissions	•
Condensate container	•
Integrated condensed water drainage	•
AddLoad	•
Efficiency and sustainability	
EcoFeedback	•
EcoDry technology	•
Maintenance-free heat exchanger	•
ProfiEco motor	•
Drying programmes	
Automatic plus	•
Cottons (coloureds)	•
Minimum iron	•

TWR 860 WP Eco&Steam Wifi&XL

T1 heat-pump dryer:

with SteamFinish, 1–9 kg load and Miele@home for smart laundry care.



EAN: 4002516204367 / Material number: 11188060 / Old Material Number: 12WR8602ZA

Delicates	•
Shirts	•
Silks handcare	•
Woollens handcare	•
Express	•
Denim	•
Outerwear	•
Proofing	•
Sportswear	•
Standard pillows	•
Large pillows	•
Cottons hygiene	•
Cool air	•
Warm air	•
Basket programme	•
Pre-Ironing	•
Bed linen	•
Steam care	•
Extras	
Anti-crease	•
Gentle tumble	•
Freshen up	•
Buzzer	•
Quality	
Soft ribs	•
Safety	
PIN-Code	•
Empty out container indicator	•
Clean filter indication	•
Optical interface	•
Technical data	
Dimensions in mm (width)	596
Dimensions in mm (height)	850
Dimensions in mm (depth)	643
Appliance depth in mm with opened door	1077
Weight in kg	60
Total rated load in kW	1,10
Voltage in V	220-240
Fuse rating in A	10
Frequency in Hz	50
Length of supply lead in m	2,0
Contains fluorinated greenhouse gases	•
Hermetically sealed	•
Type of coolant	R450A
Refrigerant quantity in kg	0,31
Refrigerant global warming potential	605
Appliance global warming potential	188,00
Accessories supplied	
Fragrance flacon	•
Voucher for a second fragrance flacon	•

TWR 860 WP Eco&Steam Wifi&XL

T1 heat-pump dryer:

with SteamFinish, 1–9 kg load and Miele@home for smart laundry care.



EAN: 4002516204367 / Material number: 11188060 / Old Material Number: 12WR8602ZA

Available display languages

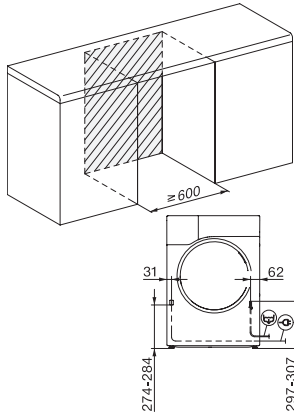
Available display languages through MultiLingua

bahasa malaysia, dansk,
deutsch, english, english
(AU), english (CA),
english (GB), english
(US), español, français,
français (CA), français
(FR), hrvatski, italiano,
magyar, nederlands,
norsk, polski, português,
русский, română,
slovenčina, slovenščina,
srpski, suomi, svenska,
türkçe, українська, čeština,
ελληνικά,

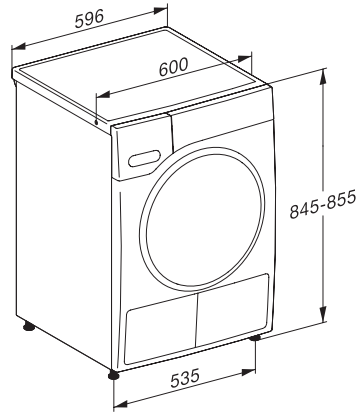
TWR 860 WP Eco&Steam Wifi&XL

T1 heat-pump dryer:

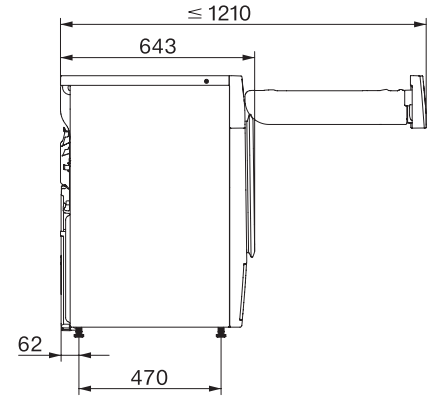
with SteamFinish, 1–9 kg load and Miele@home for smart laundry care.



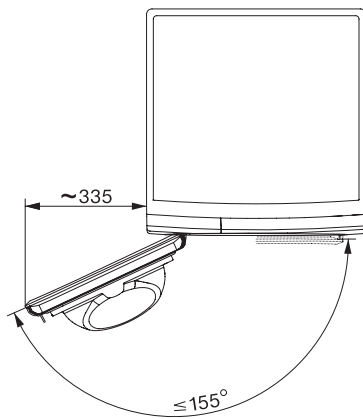
T1 installation drawing, facia 5 degree, measures in mm



T1 drawing, facia 5 degree, measures in mm



T1 drawing, facia 5 degree, with porthole, measures in mm



T1 drawing, facia 5 degree, measures in mm